



INSTRUMENT TEES

www.csidesigns.com • www.csidesigns.com • www.csidesigns.com



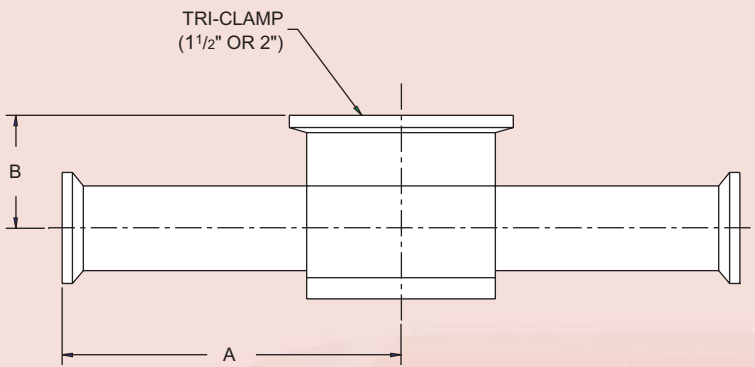
- In Stock Ready For Same Day Shipping
- ASME BPE Compliant
- Fully Drainable in Horizontal or Vertical Position
- Available in 316L, AL-6XN[®], or Hastelloy[®] C-22[®]
- Butt-Weld or Tri-Clamp[®] Run Connections
- Tri-Clamp Branch Connections
- Competitive Pricing
- Made in the USA
- MTR's Available





CENTRAL STATES INDUSTRIAL

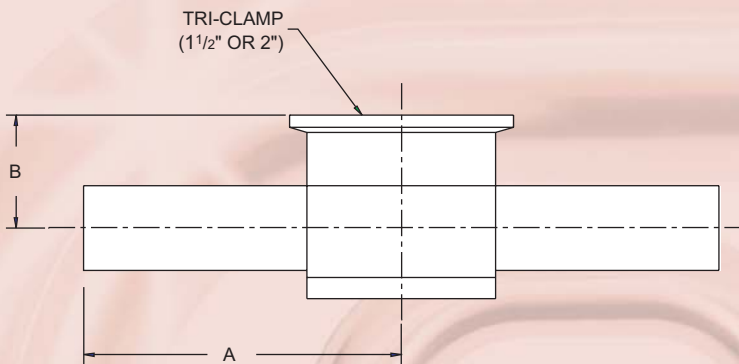
Instrument Tees



B7IMPS TRI-CLAMP® INSTRUMENT TEE BPE DT-29

SIZE (RUN x BRANCH)	DIM "A"	DIM "B"
1/2 x 1 1/2	3.000	0.875
1/2 x 2	3.250	1.000
3/4 x 1 1/2	3.000	1.000
3/4 x 2	3.250	1.125
1 x 1 1/2	3.000	1.125
1 x 2	3.250	1.250
1 1/2 x 2	3.250	1.500

Note: When placing an order, specify size, material and finish.
 "PL" - 20 Ra mechanical polish.
 "PM" - 15 Ra mechanical polish with electropolish.
 All dimensions are in inches.



B7IWWMS BUTT WELD INSTRUMENT TEE BPE DT-28

SIZE (RUN x BRANCH)	DIM "A"	DIM "B"
1/2 x 1 1/2	2.500	0.875
1/2 x 2	2.750	1.000
3/4 x 1 1/2	2.500	1.000
3/4 x 2	2.750	1.125
1 x 1 1/2	2.500	1.125
1 x 2	2.750	1.250
1 1/2 x 2	2.750	1.500

Note: When placing an order, specify size, material and finish.
 "PL" - 20 Ra mechanical polish.
 "PM" - 15 Ra mechanical polish with electropolish.
 All dimensions are in inches.



STATE OF THE ART
CENTRAL STATES INDUSTRIAL
 INSTRUMENT TEES

