



PIPETITE REBOOT

www.pipetite.us • www.pipetite.us • www.pipetite.us • www.pipetite.us

Pipetite ReBoot can seal an existing penetration while allowing significant movement of the pipe. Pre-drilled holes make installation simple, and three sizes are available.



- Available in three sizes to fit piping up to 7" diameter
- Hygienic white silicone and 316 stainless steel
- Split design installs easily around existing piping
- Easily trimmed to size
- Totally self sealing - no sealant required
- Boot is flexible to accommodate movement
- No cracking of silicone
- 500°F temperature rating
- No clean-up after installation
- Materials compatible with cleaning solution
- Pre-drilled for quick and easy installation

800.654.5635

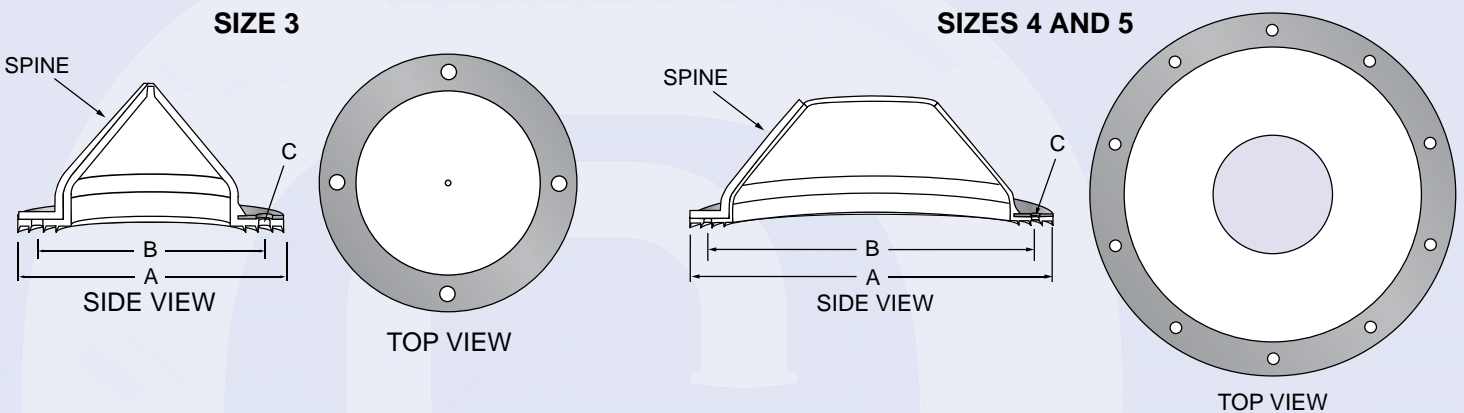




UN-CUT UNIT DIMENSIONS AND PART NUMBERS

SIZE	TUBE/PIPE SIZE RANGE	DIM "A" BASE DIAMETER	DIM "B" BOLT CIRCLE	DIM "C" HOLE SIZE	PART NUMBER
3	0 - 3.74	5.79	5.04	0.177	PTR3-000
4	2.76 - 5.31	7.36	6.61	0.177	PTR4-000
5	3.94 - 7.09	9.33	8.39	0.177	PTR5-000

Note: All dimensions are in inches.



PIPETITE REBOOT
BRINGING INNOVATION TO PROCESS SYSTEMS