



PIPETITE SLEEVE BOOT

www.pipetite.us • www.pipetite.us • www.pipetite.us • www.pipetite.us

Pipetite Sleeve Boot can seal a tube-in-tube transition while allowing for movement of the pipe.



- Ideal for floor penetrations
- Available in two sizes to fit 4" or 6" tube floor sleeves
- Hygienic white silicone
- Easily trimmed to fit any diameter process line up to 5.31"
- Totally self sealing - no sealant required
- Boot is flexible to accommodate movement
- 500°F temperature rating
- Materials compatible with cleaning solution

800.654.5635





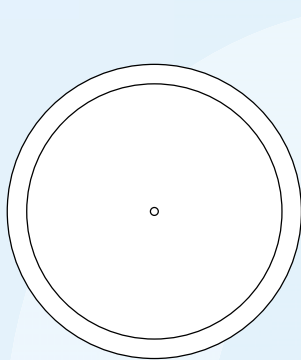
Pipetite Sleeve Boot



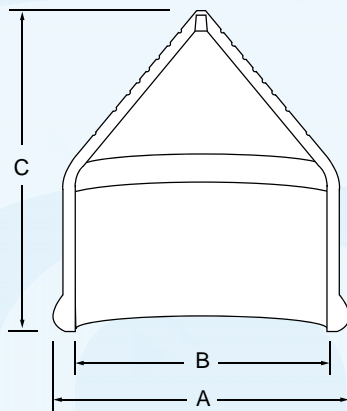
UNIT DIMENSIONS AND PART NUMBERS

SIZE	FLOOR SLEEVE SIZE	TUBE/PIPE SIZE RANGE	DIM "A" BASE DIAMETER	DIM "B" INSIDE DIAMETER	DIM "C" HEIGHT	PART NUMBER
1	4	0 - 3.0	4	3.5	4.5	PTSI-000
2	6	0 - 5.31	6	5.5	6	PTS2-000

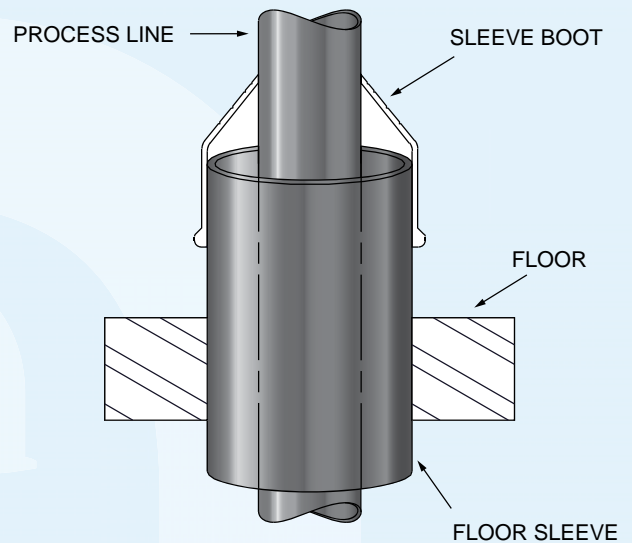
Note: All dimensions are in inches.



TOP VIEW



SIDE VIEW



PIPETITE SLEEVE BOOT BRINGING INNOVATION TO PROCESS SYSTEMS

2700 Partnership Boulevard • Springfield, Missouri 65803-8208

P 417.831.1411, 800.654.5635 • F 417.831.5314 • sales@csidesigns.com • www.csidesigns.com • www.pipetite.us

PTS 03/08-2M