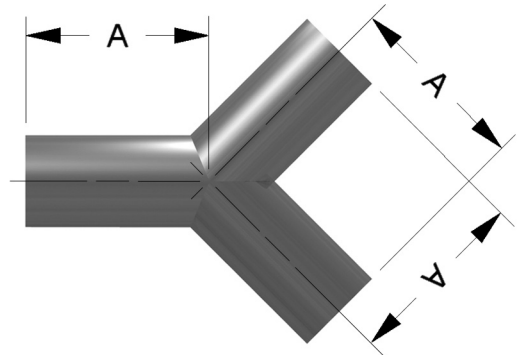




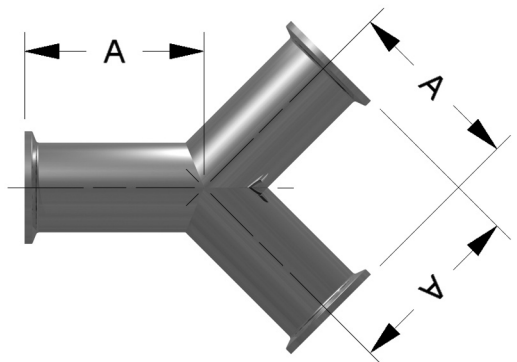
**Weld True Y** | 28BW-Size-AL6XN-Finish

"-7" Finish Part Number	Size (Tube OD)	Length (A)
28BW-1-AL6XN-7	1"	2.000
28BW-1.5-AL6XN-7	1-1/2"	3.000
28BW-2-AL6XN-7	2"	4.000
28BW-2.5-AL6XN-7	2-1/2"	4.500
28BW-3-AL6XN-7	3"	5.000
28BW-4-AL6XN-7	4"	7.000



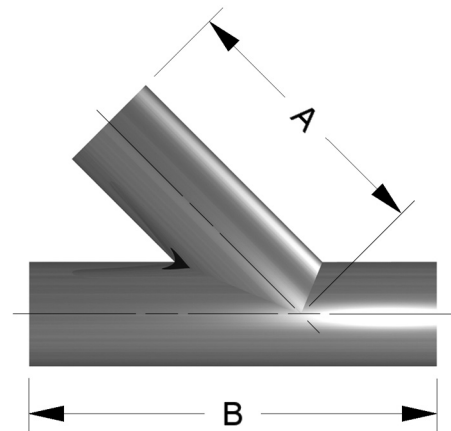
**TriClamp True Y** | 28BMP-Size-AL6XN-Finish

"-7" Finish Part Number	Size (Tube OD)	Length (A)
28BMP-1-AL6XN-7	1"	2.500
28BMP-1.5-AL6XN-7	1-1/2"	3.500
28BMP-2-AL6XN-7	2"	4.500
28BMP-2.5-AL6XN-7	2-1/2"	5.000
28BMP-3-AL6XN-7	3"	5.500
28BMP-4-AL6XN-7	4"	7.625



**Weld Lateral** | 28WA-Size-AL6XN-Finish

"-7" Finish Part Number	Size (Tube OD)	Length (A)	(B)
28WA-1-AL6XN-7	1"	5.000	7.500
28WA-1.5-AL6XN-7	1-1/2"	5.000	7.500
28WA-2-AL6XN-7	2"	6.000	9.000
28WA-2.5-AL6XN-7	2-1/2"	6.500	9.750
28WA-3-AL6XN-7	3"	7.000	10.500
28WA-4-AL6XN-7	4"	9.000	13.500



**TriClamp Lateral** | 28AMP-Size-AL6XN-Finish

"-7" Finish Part Number	Size (Tube OD)	Length (A)	(B)
28AMP-1-AL6XN-7	1"	5.500	8.500
28AMP-1.5-AL6XN-7	1-1/2"	5.500	8.500
28AMP-2-AL6XN-7	2"	6.500	10.000
28AMP-2.5-AL6XN-7	2-1/2"	7.000	10.750
28AMP-3-AL6XN-7	3"	7.500	11.500
28AMP-4-AL6XN-7	4"	9.625	14.750

